

**B**

VS 10-75 CG OPTIMA  
VS 40-150 CG OPTIMA SUP  
VS 40-150 CG OPTIMA SUP-EXH  
AHU VS 21 – VS 150

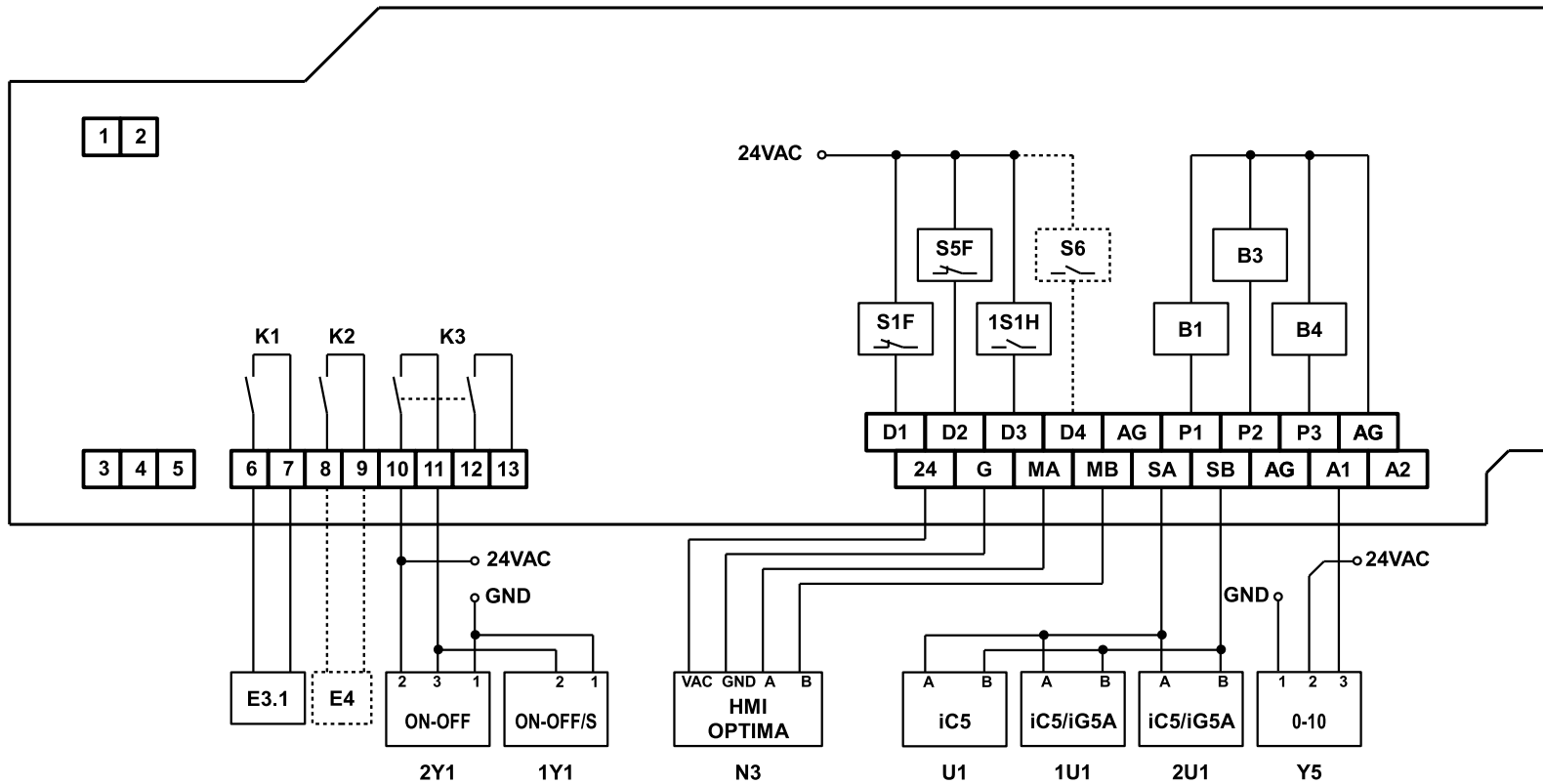
APPLICATION: AR16-S / AR16-R  
AR144-S / AR144-R



common ground terminal GND



common terminal 24VAC



**B**

VS 10-75 CG OPTIMA  
VS 40-150 CG OPTIMA SUP  
VS 40-150 CG OPTIMA SUP-EXH

RS485 / Modbus connection details

